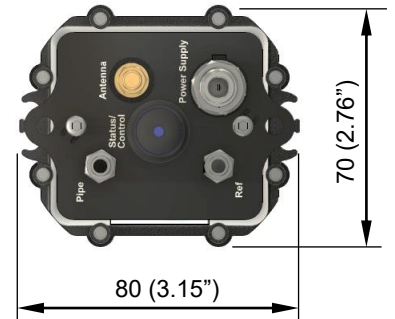
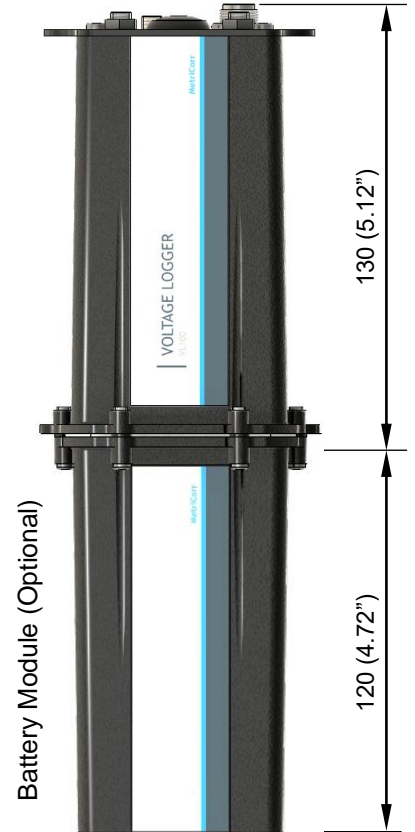


Technical specifications - VL100

Storage capacity	+200 000 readings	
Logging interval	10 min – ∞, Typically 1 hour 1s (intensive mode)	
Power supply	6 to 15 VDC (Max. 200mA @ 12VDC) Battery module (Optional, as shown)	
Battery Lifetime	+3 years @ hourly logging, weekly upload +10 years @ 6 times daily logging	
Casing Humidity Temperature	IP65 0 to 100% RH condensing conditions -40°C to +85°C	
Test Station Options	<ul style="list-style-type: none"> - Big Fink (Solar/Battery powered, see page 1) - Junction box (Solar/battery powered) - Junction box (AC supply 100–240VAC with surge protection) - MetriCorr Type Test Station - Customer's own specifications 	
Size L x W x H, weight	250 x 68 x 81 mm, 390 g	
Communication	<ul style="list-style-type: none"> - LTE Cat. 1 - 4G/5G with 2G/3G fall back - Satellite (optional) - Android or iOS App - Bluetooth - Ethernet (optional) - GPS Time Synchronization - GNSS (Position) 	
Measurements	Input resistance	+10.0 MΩ
	Range	± 100 V / 100 Vrms
	Resolution	0.1 mV DC / 1 mV AC
	DC accuracy	± 0.8 mV ± 0.3% read.
	AC accuracy	± 1 mV ± 1% reading
	AC to DC rejection	-80 dB
Surge Protection EN/ISO 61000-4-5, class 4	Nom. discharge current	10 kA @ 8/20 μs
	Lightning impulse current	2.5 kA @ 10/350 μs
	Optional (Pipe-Reference)	50 kA @ 8/20 μs 50 kA @ 10/350 μs



VL100 INSTALLATION EXAMPLES

